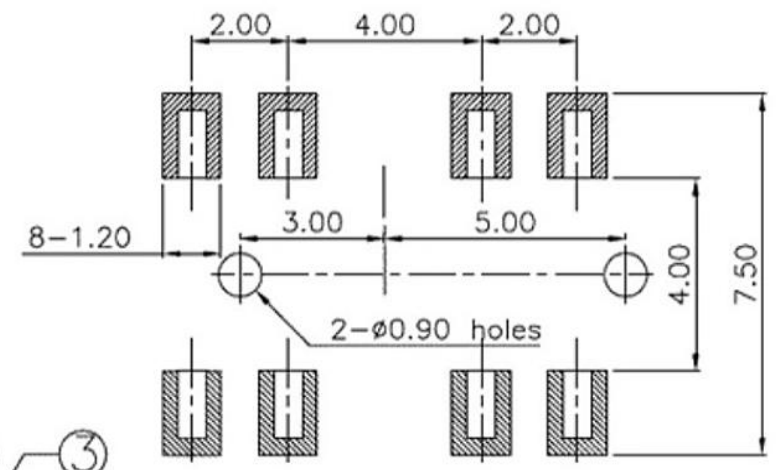
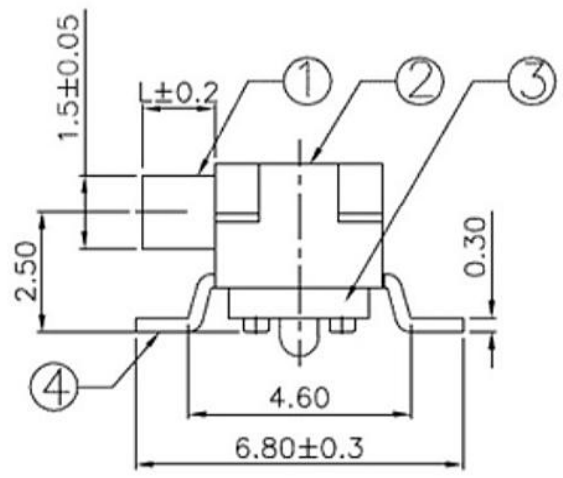
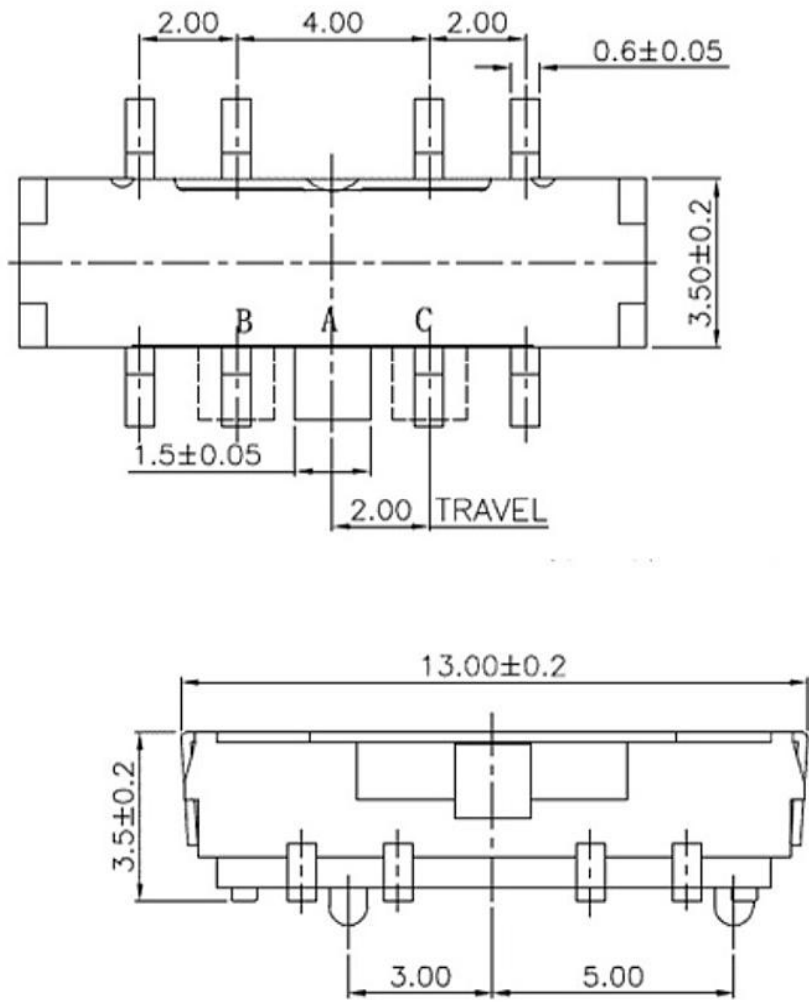
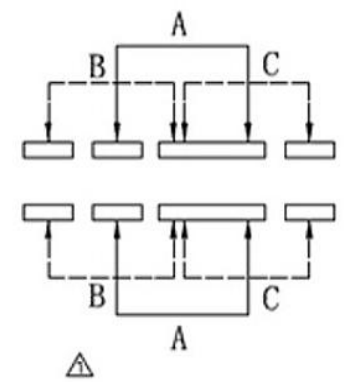


CAD FILE:



PCB Layout(Pattern side)



Circuit Diagram

注: "*"表示关键尺寸(6个)

NO.	PARTS	MATERIALS	Q'TY	FINISH	TOLERANCE		UNLESS SPECIFIED		TITLE : SLIDE SWITCH		UNIT : mm	DRWG NO.:	
8					WITHIN		A	2012-10-26	初版				
7	STEEL BALL	STEEL	1	NATURAL	OVER		ISSUE	DATE	DESCRIPTIONS OF REVISION			APPD.	
6	SPRING	STEEL WIRE	1	NATURAL	TITLE : SLIDE SWITCH		SCALE: 3:1		DWN.		2012-10-26		
5	CONTACT CLIP	PBS STRIP	2	Ag PLATED	MODEL:		東莞市高迪電子有限公司		CHK'D		2012-10-26		
4	TERMINAL	BRASS STRIP	8	Ag PLATED	DONGGUAN GAODI ELECTRONICS CO., LTD.				APPD.		2012-10-26		
3	BASE	PHENOLIC RESIN	1	NATURAL									
2	FRAME	STEEL STRIP	1	Ni PLATED									
1	KNOB	POM	1	BLACK									